



SNG 500 - SNG 600



SNL 500



SNU 500 - SNU 600
SNA 500 - SNA 600



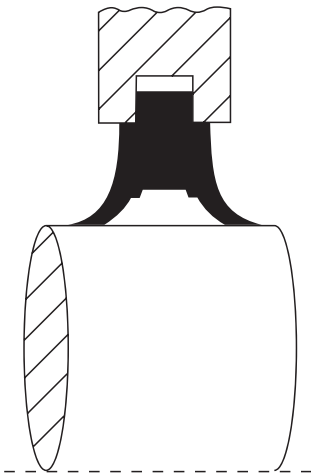
SN 500 - SN 600
SN 200 - SN 300



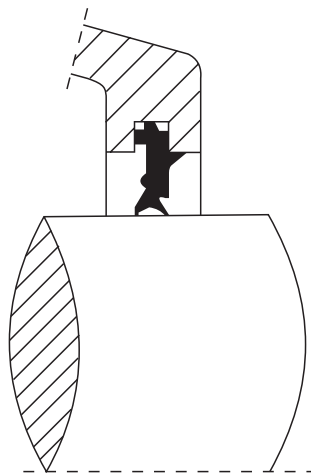
SD 3100



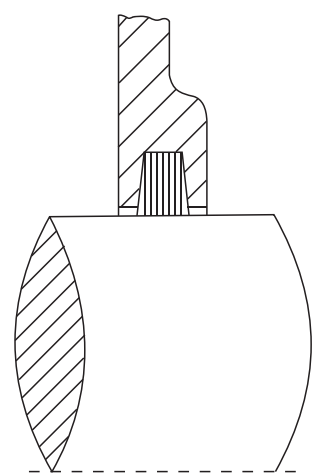
SD 3000



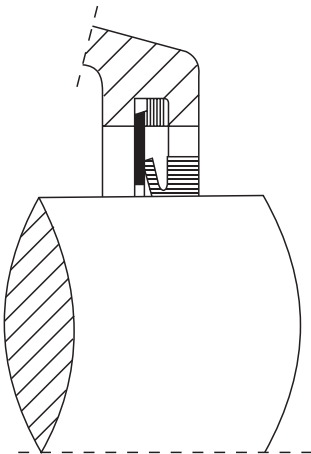
Tenuta in poliuretano "TSNG" per: SNG-SNU
 "TSNG" polyurethan seal for: SNG-SNU



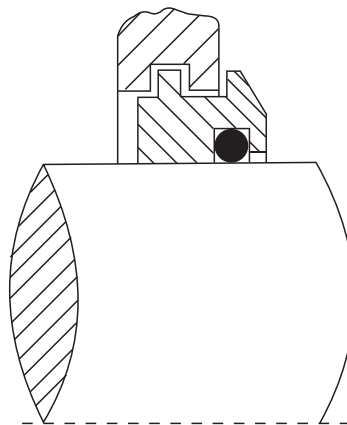
Tenuta in gomma "TSNU" per: SNG-SNU
 "TSNU" rubber seal for: SNG-SNU



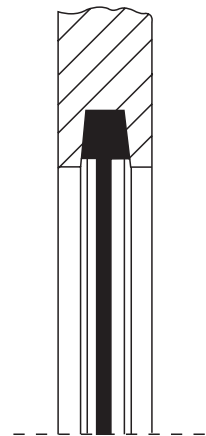
Tenuta in feltro "TSNC" per: SNG-SNU
 "TSNC" felt seal for: SNG-SNU



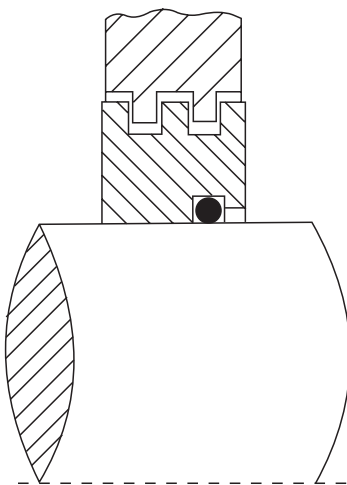
Tenuta v-ring "TSNA" per: SNG-SNU
 "TSNA" v-ring seal for: SNG-SNU



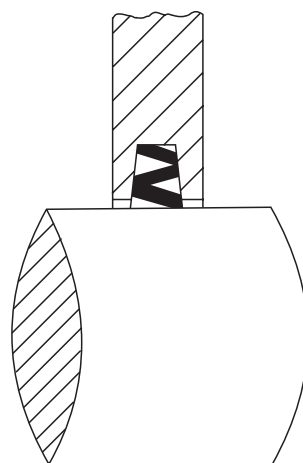
Tenuta a labirinto "TSNS" per: SNG-SNU
 "TSNS" labyrinth seal for: SNG-SNU



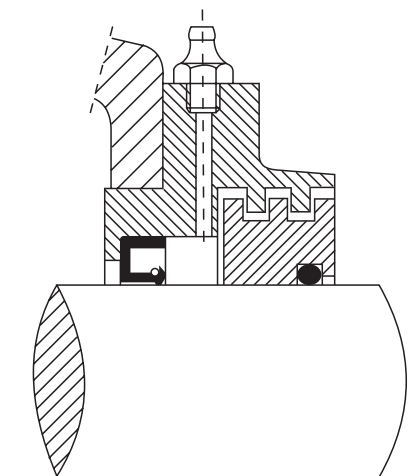
Coperchio di chiusura "A" per: SNG-SNU-SN
 "A" end cover for: SNG-SNU-SN



Tenuta a labirinto "TS" per: SN-SD
 "TS" labyrinth seal for: SN-SD



Tenuta in NBR "ZF" per: SN
 "ZF" NBR seals for: SN



Chiusura di taconite "TAC" per: SN-SD
 "TAC" taconite cover for: SN-SD

A MATERIALI - MATERIALS:
1 SEDE - HOUSING:

Materiale Material	Carico di rottura Tensile strength kgf/mm ²	Carico di snervamento Yield strength kgf/mm ²	Allungamento Elongation	Codice Jis Jis code	Codice USA U.S. code
GHISA CAST IRON	20	-	-	G 5501 (FC 200)	ASTM A 48 GRADO/GRADE 35
ACCIAIO DUTILE DUCTILE IRON (S. G.)	45	30	10%	G 5502 (FCD 450)	ASTM A 536 GRADO/GRADE 65-45-12

2 ACCESSORI - ACCESSORIES:

Dispositivi di chiusura Sealing arrangements	Sigla Ref.	Per For	Materiali Materials
TENUTA IN POLIURETANO POLYURETHAN SEAL	TSNG	SNG-SNU	Poliuretano Polyurethan
TENUTA IN GOMMA U-LOCK RUBBER SEAL	TSNU	SNG-SNU	Gomma Rubber
TENUTA IN FELTRO FELT SEAL	TSNC	SNG-SNU	Feltro Felt
TENUTA V-RING V-RING SEAL	TSNA	SNG-SNU	NBR NBR
TENUTA LABIRINTO LABYRINTH SEAL	TSNS	SNG-SNU	Ghisa Cast iron
COPERCHIO DI CHIUSURA END COVER	A	SNG-SNU-SN	NBR e lamiera in acciaio NBR and Carbon steel plate
TENUTA LABIRINTO LABYRINTH SEAL	TS	SN-SD	Ghisa Cast iron
CHIUSURA DI TACONITE TACONITE COVER TAC	TAC	SD	Ghisa Cast iron

3 TOLLERANZE - TOLERANCES:

	(mm.)	
	Dimensioni - Dimensions	Tolleranze - Tolerances
TOLLERANZA DELLA FUSIONE CASTING TOLERANCE	1-100	± 1,5
	100-200	± 2,0
	200-400	± 3,0
	400-800	± 4,0
	800-1600	± 5,0

TOLLERANZE DI LAVORAZIONE - MACHINE TOLERANCES

1

DIAMETRO DEL FORO (D) - BORE DIAMETER (D)

(μm)

Diametro del foro (mm) Bore diameter (mm)	G7	H7	H8	J7
10-18	+24 +26	-18 -0	+27 -0	+10 -8
18-30	+28 +7	+21 -0	+33 -0	+12 -9
30-50	+34 +9	+25 -0	+39 -0	+14 -11
50-80	+40 +10	+30 -0	+46 -0	+18 -12
80-120	+42 +12	+35 -0	+54 -0	+22 -13
120-180	+54 +14	+40 -0	+63 -0	+26 -14
180-250	+61 +15	+46 -0	+72 -0	+30 -16
250-315	+69 +17	+52 -0	+81 -0	+36 -16
315-400	+75 +18	+57 -0	+89 -0	+39 -18
400-500	+83 +20	+63 -0	+97 -0	+43 -20
500-620	+92 +23	+69 -0	+104 -0	+46 -23

2

ALTRE TOLLERANZE, ECCETTO FORO (D) - OTHER TOLERANCES, EXCEPT BORE (D)

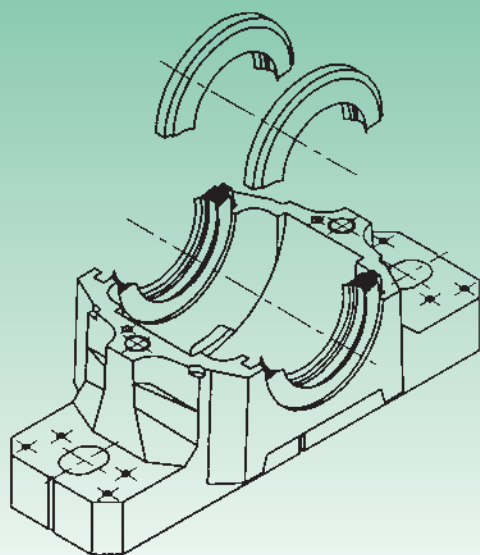
(μm)

Diametro del foro (mm) Bore diameter (mm)	js11	H12	H13	h12	h13
18-30	±65	+210 -0	+330 -0	+0 -210	+0 -330
30-50	±80	+250 -0	+390 -0	+0 -250	+0 -390
50-80	±95	+300 -0	+460 -0	+0 -300	+0 -460
80-120	±110	+350 -0	+540 -0	+0 -350	+0 -540
120-180	±125	+400 -0	+630 -0	+0 -400	+0 -630
180-250	±145	+460 -0	+720 -0	+0 -460	+0 -720
250-315	±160	+520 -0	+810 -0	+0 -520	+0 -810
315-400	±180	+570 -0	+890 -0	+0 -570	+0 -890

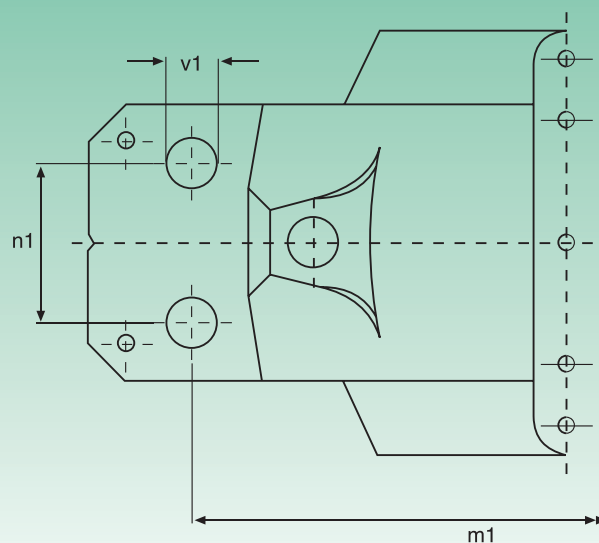
3

TOLLERANZE SUGGERITE PER SEDE CUSCINETTO - RECOMMENDED FITS OF BEARING HOUSING TOLERANCES

SUPPORTO UNICO O IN DUE PEZZI SPLIT OR SOLID HOUSING	Condizioni di carico Load conditions		Esempio di riferimento Reference example	Tolleranze Tolerances	Anello esterno Outer ring
	Direzione di carico non determinate Direction of load indeterminate	Carico normale e leggero Normal and light load	Motori elettrici, pompe Electric motors, pumps	J7	Possibilità di spostamento Can be displaced
Carico dell'anello interno rotante Rotating inner ring load	Carichi di tutti i tipi Loads of a kinds	Applicazioni generali di cuscinetti e boccole Bearings and bushes general applications	H7	Possibilità di facile spostamento Can easily be displaced	
Carico dell'anello interno rotante Rotating inner ring load	Carico leggero e normale Normal and light load	Supporti Plummer blocks	H8	Possibilità di facile spostamento Can easily be displaced	
Carico dell'anello interno rotante Rotating inner ring load	Incremento della temperatura dell'anello interno attraverso l'albero High temperature rise of inner ring through shaft	Essiccatoi per carta Paper dryers	J7	Possibilità di facile spostamento Can easily be displaced	



TENUTE "TSNG" SIA PER ALBERI METRICI CHE IN POLLICI
 "TSNG" SEALS FIT BOTH METRIC & INCHES SHAFTS



DISPONIBILE PER MONTAGGIO A QUATTRO-FORI
 AVAILABLE FOR FOUR-BOLT MOUNTING

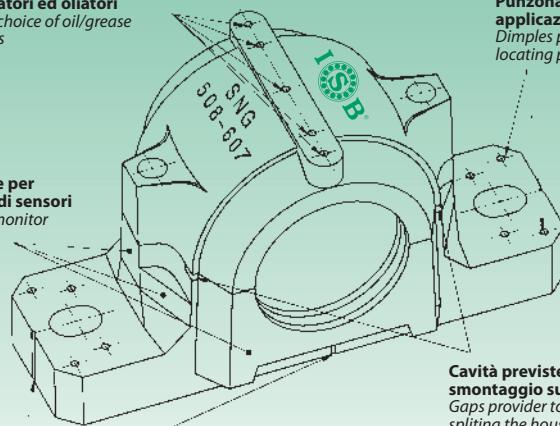
Tipo Type	m1	n1	v1	Bull. fiss. Bolt Size	Tenuta Seal	Diametro albero Shaft diameter			Tenuta Seal	Diametro albero Shaft diameter		
						mm	inch			mm	inch	
SNG 507-606D	-	-	-	-	TSNG 507	30	11/8	13/16	TSNG 607	30	11/8	13/16
SNG 508-607D	160	34	11	M10	TSNG 508	35	15/16	13/8	TSNG 608	35	15/16	13/8
SNG 509D	160	34	11	M10	TSNG 509	40	1½	19/16	TSNG 609	40	1½	19/16
SNG 510-608D	160	34	11	M10	TSNG 510	45	111/16	1¾	TSNG 610	45	111/16	1¾
SNG 511-609D	200	40	14	M12	TSNG 511	50	115/16	2	TSNG 611	50	115/16	2
SNG 512-610D	200	40	14	M12	TSNG 512	55	21/8	23/16	TSNG 612	55	21/8	23/16
SNG 513-611D	220	48	14	M12	TSNG 513	60	2¼	25/16	TSNG 613	60	2¼	25/16
SNG 515-612D	220	48	14	M12	TSNG 515	65	27/16	2½	TSNG 615	65	27/16	2½
SNG 516-613D	252	52	18	M16	TSNG 516	70	211/16	2¾	TSNG 616	70	211/16	2¾
SNG 517D	252	52	18	M16	TSNG 517	75	215/16	3	TSNG 617	75	215/16	3
SNG 518-615D	280	58	18	M16	TSNG 518	80	33/16	3¼	TSNG 618	80	33/16	3¼
SNG 519-616D	280	58	18	M16	TSNG 519	85	35/16	33/8	TSNG 619	85	35/16	33/8
SNG 520-617D	300	66	18	M16	TSNG 520	90	37/16	3½	TSNG 620	90	37/16	3½
SNG 522-619D	320	74	18	M16	TSNG 522	100	315/16	4	-	-	-	-
SNG 524-620D	330	74	18	M16	TSNG 524	110	43/16	4¼	-	-	-	-
SNG 526D	370	80	22	M20	TSNG 526	115	47/16	4½	-	-	-	-
SNG 528D	400	92	26	M24	TSNG 528	125	415/16	5	-	-	-	-
SNG 530D	430	100	26	M24	TSNG 530	135	53/16	5¼	-	-	-	-
SNG 532D	450	100	26	M24	TSNG 532	140	57/16	5½	-	-	-	-

INTERCAMBIABILE CON SUPPORTI SNH, SNU, SNA.
INTER-EXCHANGEABLE WITH PLUMMER BLOCKS SNH, SNU, SNA.

Possibilità di scelta per collocazione ingrassatori ed oliatori
Various choice of oil/grease locations

Punzonature per eventuale applicazione di perni di riferimento
Dimples provider for locating pins if required

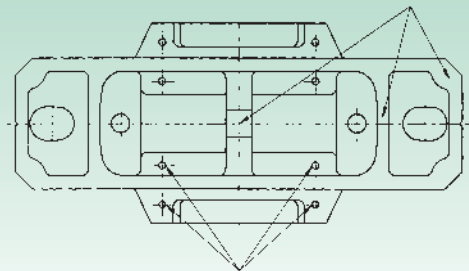
Molteplici zone per l'installazione di sensori
Various sensor/monitor installing spaces



Cavità previste per smontaggio supporto
Gaps provider to help splitting the housings

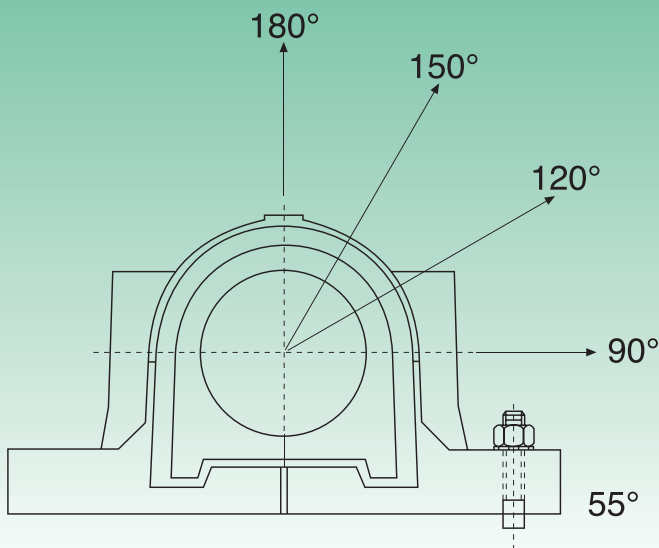
Linee di riferimento centrali per facilitare l'allineamento nel montaggio
Cross center lines for easy alignment in assembly

Base rinforzata per carichi pesanti
Reinforced base for heavy load

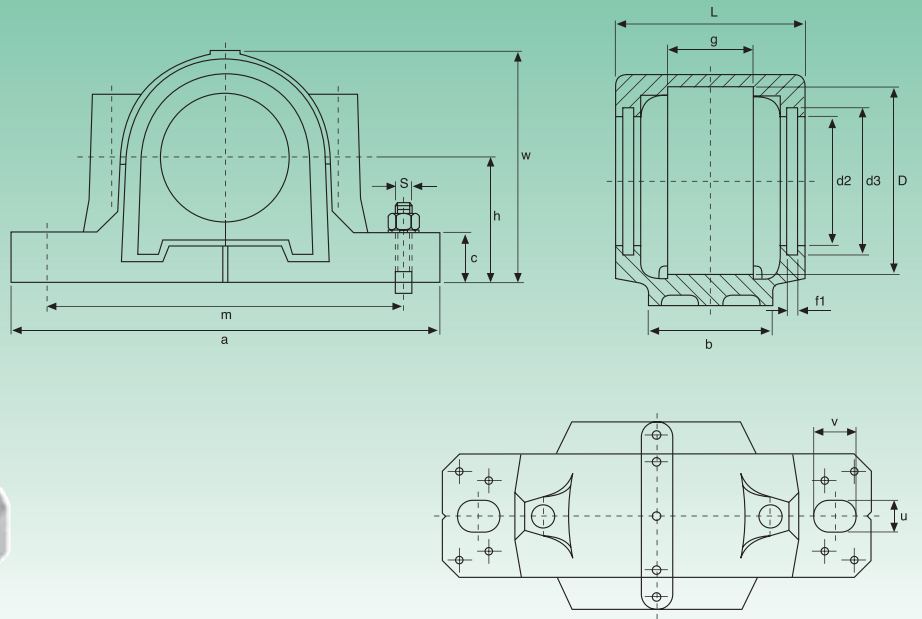


Otto locazioni selezionate per il drenaggio
Eight location selected for drainage

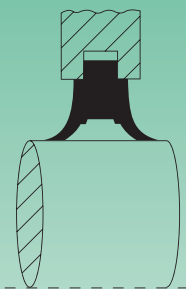
CARICHI DI ROTTURA - BREAKING LOADS



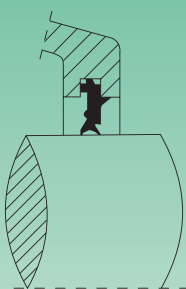
Tipo Type	Carichi di rottura - Breaking loads						
	P ₀	P ₅₅	P ₉₀	P ₁₂₀	P ₁₅₀	P ₁₆₀	P _{assiale} axial
	kN						
SNG 205-505	100	155	95	70	60	80	52
SNG 206-305-506-605	130	170	100	80	65	85	55
SNG 207-507-606	140	190	115	85	80	95	60
SNG 208-307-508-607	150	215	130	95	85	110	70
SNG 209-509	160	230	140	100	90	115	75
SNG 210-510-608	170	265	155	120	110	130	85
SNG 211-511-609	190	275	170	125	115	140	90
SNG 212-512-610	210	300	180	130	120	150	100
SNG 213-513-611	270	340	205	150	130	170	110
SNG 215-515-612	290	410	250	185	160	205	135
SNG 216-516-613	350	430	260	190	175	215	140
SNG 217-517	370	480	290	205	190	240	155
SNG 218-518-615	430	550	340	250	215	275	180
SNG 519-616	-	580	350	260	230	290	190
SNG 520-617	-	620	370	280	250	310	200
SNG 522-619	-	680	410	310	275	340	220
SNG 524-620	-	790	470	350	320	400	260
SNG 526	-	900	540	410	360	450	295
SNG 528	-	1050	630	470	430	530	345
SNG 530	-	1200	730	540	480	600	390
SNG 532	-	1450	860	640	570	720	470



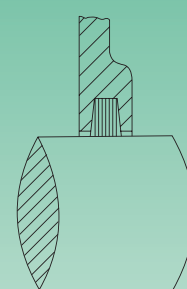
Tipo Type	Diametro albero Shaft diameter			Dimensioni - Dimensions													Bull. fiss. Bolt Size	
				D H8	a	b	c	g H12	h	L	w	m	U	V	d2 H12	d3 H12	f1	S
	mm	inch		mm/inch														
SNG 505	20	¾		52	165	46	19	25	40	67	71	130	13	20	31,5	39,5	5	M8x35
SNG 506-605	25	15/16	1	62	185	52	22	32	50	77	87	150	13	22	36,5	44,5	5	M8x40
SNG 507-606	30	11/8	13/16	72	185	52	22	34	50	82	92	150	15	20	46,5	54,5	5	M10x45
SNG 508-607	35	15/16	13/8	80	205	60	25	39	60	85	106	170	15	20	51,5	59,5	5	M10x45
SNG 509	40	1½	19/16	85	205	60	25	30	60	85	109	170	15	20	56,5	64,5	5	M10x50
SNG 510-608	45	111/16	1¾	90	205	60	25	41	60	90	112	170	15	20	62	70,5	5	M10x50
SNG 511-609	50	115/16	2	100	255	70	28	44	70	95	127	210	18	23	67	75,5	5	M12x60
SNG 512-610	55	21/8	23/16	110	255	70	30	48	70	105	133	210	18	23	72	80,5	5	M12x60
SNG 513-611	60	2¼	25/16	120	275	80	30	51	80	110	148	230	18	24	77	85,5	5	M12x60
SNG 515-612	65	27/16	2½	130	280	80	30	56	80	115	154	230	18	26	87	95,5	5	M12x70
SNG 516-613	70	211/16	2¾	140	315	90	32	58	95	120	175	260	22	29	92,5	101	5	M16x80
SNG 517	75	215/16	3	150	320	90	32	61	95	125	181	260	22	30	97,5	106	5	M16x80
SNG 518-615	80	33/16	3¼	160	345	100	35	65	100	140	192	290	22	27	102,5	111	5	M16x80
SNG 519-616	85	35/16	33/8	170	345	100	35	68	112	145	209	290	22	27	131	141	6	M16x90
SNG 520-617	90	37/16	3½	180	380	110	40	70	112	160	215	320	26	32	137,5	147,5	6	M20x90
SNG 522-619	100	315/16	4	200	410	120	45	80	125	175	239	350	26	32	147,5	157,5	6	M20x100
SNG 524-620	110	43/16	4¼	215	410	120	45	86	140	185	271	350	26	32	157,5	167,5	6	M20x110
SNG 526	115	47/16	4½	230	445	130	50	90	150	190	290	380	28	35	167,5	177,5	6	M24x120
SNG 528	125	415/16	5	250	500	150	50	98	150	205	302	420	35	42	177,5	187,5	6	M24x130
SNG 530	135	53/16	5¼	270	530	160	60	106	160	220	323	450	35	42	192,5	202,5	6	M24x130
SNG 532	140	57/16	5½	290	550	160	60	114	170	235	344	470	35	42	202,5	212,5	6	M24x130



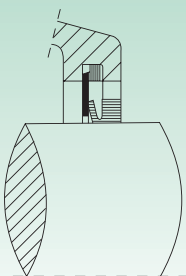
Tenuta in poliuretano "TSNG" per: SNG-SNU
"TSNG" polyurethan seal for: SNG-SNU



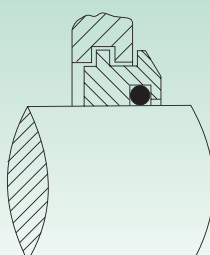
Tenuta in gomma "TSNU" per: SNG-SNU
"TSNU" rubber seal for: SNG-SNU



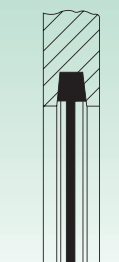
Tenuta in feltro "TSNC" per: SNG-SNU
"TSNC" felt seal for: SNG-SNU



Tenuta v-ring "TSNA" per: SNG-SNU
"TSNA" v-ring seal for: SNG-SNU

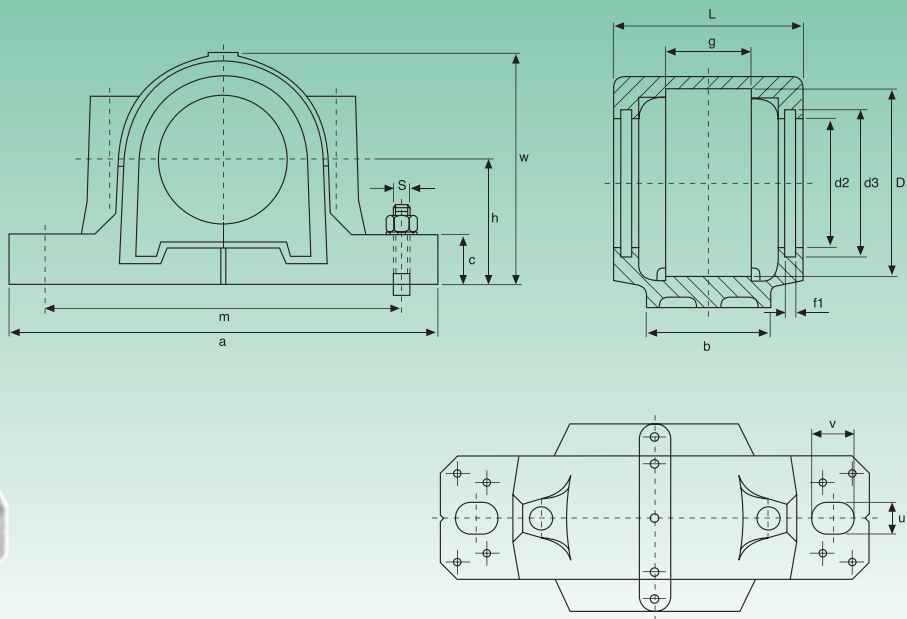


Tenuta a labirinto "TSNS" per: SNG-SNU
"TSNS" labyrinth seal for: SNG-SNU

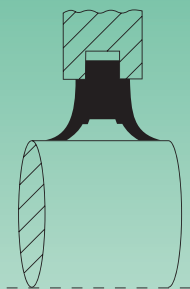


Coperchio di chiusura "A" per: SNG-SNU-SN
"A" end cover for: SNG-SNU-SN

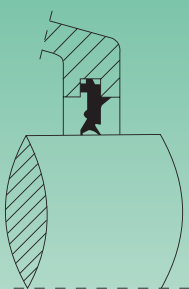
Cuscinetto orientabile a sfere (foro conico) Self-aligning ball bearing (conical bore)	Cuscinetto orientabile a rulli (foro conico) Self-aligning roller bearing (conical bore)	Bussola (metrica) Adapter sleeve (metric)	Anello di centraggio Locating ring		Peso Weight kg	"TSNG" Tenuta in poliuretano Polyurethan seal	"TSNU" Tenuta in gomma Rubber seal	"TSNC" Tenuta in feltro Felt seal	"TSNA" Tenuta V-Ring V-Ring seal	"TSNS" Tenuta a labirinto Labyrinth seal	"A" Coperchio di chiusura End cover	Tipo Type
			Tipo Type	Q.tà Q.ty								
1205 K	-	H 205	SR 52x5	2	2,1	TSNG 505	TSNU 505	TSNC 505	TSNA 505	TSNS 505	A 505	SNG 505
2205 K	22205 K	H 305	SR 52x3,5	2								
1206 K	-	H 206	SR 62x8	2	2,4	TSNG 506	TSNU 506	TSNC 506	TSNA 506	TSNS 506	A 506-605	SNG 506-605
2206 K	22206 K	H 306	SR 62x6	2								
1207 K	-	H 207	SR 72x8,5	2	2,2	TSNG 507	TSNU 507	TSNC 507	TSNA 507	TSNS 507	A 507-606	SNG 507-606
2207 K	22207 K	H 307	SR 72x5,5	2								
1208 K	-	H 208	SR 80x10,5	2	2,8	TSNG 508	TSNU 508	TSNC 508	TSNA 508	TSNS 508	A 508-607	SNG 508-607
2208 K	22208 K	H 308	SR 80x8	2								
1209 K	-	H 209	SR 85x5,5	2	3,0	TSNG 509	TSNU 509	TSNC 509	TSNA 509	TSNS 509	A 509	SNG 509
2209 K	22209 K	H 309	SR 85x7	1								
		H 309	SR 85x3,5	2								
1210 K	-	H 210	SR 90x10,5	2	3,1	TSNG 510	TSNU 510	TSNC 510	TSNA 510	TSNS 510	A 510-608	SNG 510-608
2210 K	22210 K	H 310	SR 90x9	2								
1211 K	-	H 211	SR 100x11,5	2	4,5	TSNG 511	TSNU 511	TSNC 511	TSNA 511	TSNS 511	A 511-609	SNG 511-609
2211 K	22211 K	H 311	SR 100x9,5	2								
1212 K	-	H 212	SR 110x13	2	5,0	TSNG 512	TSNU 512	TSNC 512	TSNA 512	TSNS 512	A 512-610	SNG 512-610
2212 K	22212 K	H 312	SR 110x10	2								
1213 K	-	H 213	SR 120x14	2	6,1	TSNG 513	TSNU 513	TSNC 513	TSNA 513	TSNS 513	A 513-611	SNG 513-611
2213 K	22213 K	H 313	SR 120x10	2								
1215 K	-	H 215	SR 130x15,5	2	6,5	TSNG 515	TSNU 515	TSNC 515	TSNA 515	TSNS 515	A 515-612	SNG 515-612
2215 K	22215 K	H 315	SR 130x12,5	2								
1216 K	-	H 216	SR 140x16	2	9,0	TSNG 516	TSNU 516	TSNC 516	TSNA 516	TSNS 516	A 516-613	SNG 516-613
2216 K	22216 K	H 316	SR 140x12,5	2								
1217 K	-	H 217	SR 150x16,5	2	10,2	TSNG 517	TSNU 517	TSNC 517	TSNA 517	TSNS 517	A 517	SNG 517
2217 K	22217 K	H 317	SR 150x12,5	2								
1218 K	-	H 218	SR 160x17,5	2	12,4	TSNG 518	TSNU 518	TSNC 518	TSNA 518	TSNS 518	A 518-615	SNG 518-615
2218 K	22218 K	H 318	SR 160x12,5	2								
	23218 K	H 2318	SR 160x12,5	1								
1219 K	-	H 219	SR 170x18	2	13,5	TSNG 519	TSNU 519	TSNC 519	TSNA 519	TSNS 519	A 519-616	SNG 519-616
2219 K	22219 K	H 319	SR 170x12,5	2								
1220 K	22220 K	H 320	SR 180x12	2	17,5	TSNG 520	TSNU 520	TSNC 520	TSNA 520	TSNS 520	A 520-617	SNG 520-617
2220 K	23220 K	H 2320	SR 180x9,7	1								
1222 K	22222 K	H 322	SR 200x13,5	2	20,5	TSNG 522	TSNU 522	TSNC 522	TSNA 522	TSNS 522	A 522-619	SNG 522-619
2222 K	23222 K	H 2322	SR 200x10	1								
1224 K	22224 K	H 3124	SR 215x14	2	25,5	TSNG 524	TSNU 524	TSNC 524	TSNA 524	TSNS 524	A 524-620	SNG 524-620
		H 2324	SR 215x10	1								
	23224 K	H 2324	SR 215x5	2								
-	22226 K	H 3126	SR 230x13	2	33,0	TSNG 526	TSNU 526	TSNC 526	TSNA 526	TSNS 526	A 526	SNG 526
-	23226 K	H 2326	SR 230x10	1								
-	22228 K	H 3128	SR 250x15	2	42,0	TSNG 528	TSNU 528	TSNC 528	TSNA 528	TSNS 528	A 528	SNG 528
-	23228 K	H 2328	SR 250x10	1								
-	22230 K	H 3130	SR 270x16,5	2	53,0	TSNG 530	TSNU 530	TSNC 530	TSNA 530	TSNS 530	A 530	SNG 530
-	23230 K	H 2330	SR 270x10	1								
-	22232 K	H 3132	SR 290x17	2	55,0	TSNG 532	TSNU 532	TSNC 532	TSNA 532	TSNS 532	A 532	SNG 532
-	23232 K	H 2332	SR 290x10	1								



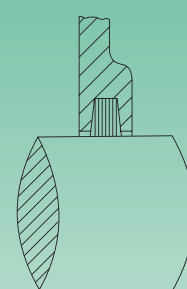
Tipo Type	Diametro albero Shaft diameter			Dimensioni - Dimensions													Bull. fiss. Bolt Size	
				D H8	a	b	c	g H12	h	L	w	m	U	V	d2 H12	d3 H12	f1	S
	mm	inch		mm/inch														
SNG 508-607	30	1 1/8	13/16	80	205	60	25	39	60	85	106	170	15	20	51,5	59,5	5	M10x45
SNG 510-608	35	1 5/16	13/8	90	205	60	25	41	60	90	112	170	15	20	62	70,5	5	M10x50
SNG 511-609	40	1 1/2	19/16	100	255	70	28	44	70	95	127	210	18	23	67	75,5	5	M12x60
SNG 512-610	45	1 11/16	1 3/4	110	255	70	30	48	70	105	133	210	18	23	72	80,5	5	M12x60
SNG 513-611	50	1 15/16	2	120	275	80	30	51	80	110	148	230	18	24	77	85,5	5	M12x60
SNG 515-612	55	2 1/8	23/16	130	280	80	30	56	80	115	154	230	18	26	87	95,5	5	M12x70
SNG 516-613	60	2 1/4	25/16	140	315	90	32	58	95	120	175	260	22	29	92,5	101	5	M16x80
SNG 518-615	65	2 7/16	2 1/2	160	345	100	35	65	100	140	192	290	22	27	102,5	111	5	M16x80
SNG 519-616	70	2 11/16	2 3/4	170	345	100	35	68	112	145	209	290	22	27	131	141	6	M16x90
SNG 520-617	75	2 15/16	3	180	380	110	40	70	112	160	215	320	26	32	137,5	147,5	6	M20x90
SNG 522-619	85	3 5/16	3 3/8	200	410	120	45	80	125	175	239	350	26	32	147,5	157,5	6	M20x100
SNG 524-620	90	3 7/16	3 1/2	215	410	120	45	86	140	185	271	350	26	32	157,5	167,5	6	M20x110



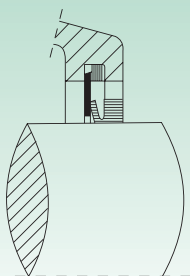
Tenuta in poliuretano "TSNG" per: SNG-SNU
"TSNG" polyurethan seal for: SNG-SNU



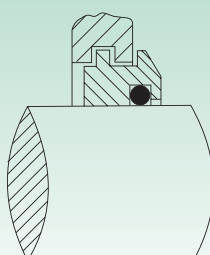
Tenuta in gomma "TSNU" per: SNG-SNU
"TSNU" rubber seal for: SNG-SNU



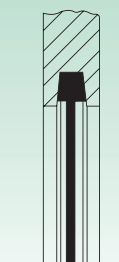
Tenuta in feltro "TSNC" per: SNG-SNU
"TSNC" felt seal for: SNG-SNU



Tenuta v-ring "TSNA" per: SNG-SNU
"TSNA" v-ring seal for: SNG-SNU

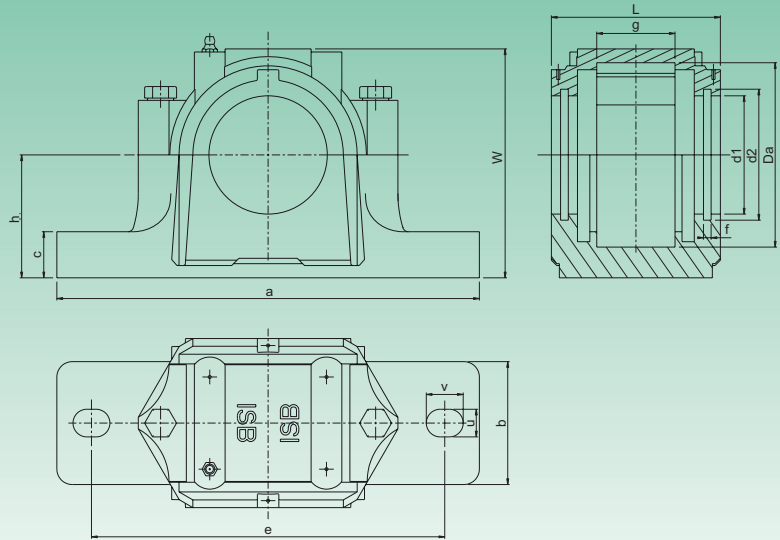


Tenuta a labirinto "TSNS" per: SNG-SNU
"TSNS" labyrinth seal for: SNG-SNU

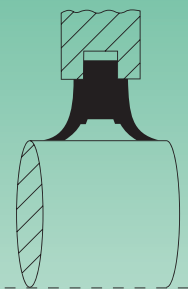


Coperchio di chiusura "A" per: SNG-SNU-SN
"A" end cover for: SNG-SNU-SN

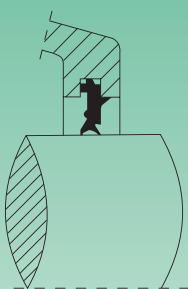
Cuscinetto orientabile a sfere (foro conico) Self-aligning ball bearing (conical bore)	Cuscinetto orientabile a rulli (foro conico) Self-aligning roller bearing (conical bore)	Bussola (metrica) Adapter sleeve (metric)	Anello di centraggio Locating ring		Peso Weight kg	"TSNG" Tenuta in poliuretano Polyurethan seal	"TSNU" Tenuta in gomma Rubber seal	"TSNC" Tenuta in feltro Felt seal	"TSNA" Tenuta V-Ring V-Ring seal	"TSNS" Tenuta a labirinto Labyrinth seal	"A" Coperchio di chiusura End cover	Tipo Type
			Tipo Type	Q.tà Q.ty								
1307 K	-	H 307	SR 80x9	2	2,8	TSNG 607	TSNU 607	TSNC 607	TSNA 607	TSNS 607	A 508-607	SNG 508-607
2307 K	-	H 2307	SR 80x8	1								
1308 K	21308 K	H 308	SR 90x9	2	3,1	TSNG 608	TSNU 608	TSNC 608	TSNA 608	TSNS 608	A 510-608	SNG 510-608
2308 K	22308 K	H 2308	SR 90x8	1								
1309 K	21309 K	H 309	SR 100x9,5	2	4,5	TSNG 609	TSNU 609	TSNC 609	TSNA 609	TSNS 609	A 511-609	SNG 511-609
2309 K	22309 K	H 2309	SR 100x8	1								
1310 K	21310 K	H 310	SR 110x10,5	2	5,0	TSNG 610	TSNU 610	TSNC 610	TSNA 610	TSNS 610	A 512-610	SNG 512-610
2310 K	22310 K	H 2310	SR 110x8	1								
1311 K	21311 K	H 311	SR 120x11	2	6,1	TSNG 611	TSNU 611	TSNC 611	TSNA 611	TSNS 611	A 513-611	SNG 513-611
2311 K	22311 K	H 2311	SR 120x8	1								
1312 K	21312 K	H 312	SR 130x12,5	2	6,5	TSNG 612	TSNU 612	TSNC 612	TSNA 612	TSNS 612	A 515-612	SNG 515-612
2312 K	22312 K	H 2312	SR 130x10	1								
1313 K	21313 K	H 313	SR 140x12,5	2	9,0	TSNG 613	TSNU 613	TSNC 613	TSNA 613	TSNS 613	A 516-613	SNG 516-613
2313 K	22313 K	H 2313	SR 140x10	1								
1315 K	21315 K	H 315	SR 160x14	2	12,4	TSNG 615	TSNU 615	TSNC 615	TSNA 615	TSNS 615	A 518-615	SNG 518-615
2315 K	22315 K	H 2315	SR 160x10	1								
1316 K	21316 K	H 316	SR 170x14,5	2	13,5	TSNG 616	TSNU 616	TSNC 616	TSNA 616	TSNS 616	A 519-616	SNG 519-616
2316 K	22316 K	H 2316	SR 170x10	1								
1317 K	21317 K	H 317	SR 180x14,5	2	17,5	TSNG 617	TSNU 617	TSNC 617	TSNA 617	TSNS 617	A 520-617	SNG 520-617
2317 K	22317 K	H 2317	SR 180x10	1								
1319 K	-	H 319	SR 200x17,5	2	20,5	TSNG 619	TSNU 619	TSNC 619	TSNA 619	TSNS 619	A 522-619	SNG 522-619
2319 K	22319 K	H 2319	SR 200x13	1								
-	-	H -	-	-	25,5	TSNG 620	TSNU 620	TSNC 620	TSNA 620	TSNS 620	A 524-620	SNG 524-620
2320 K	22320 K	H 2320	SR 215x13	1								



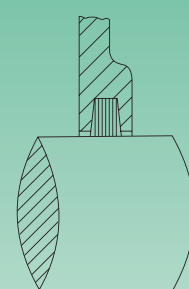
Tipo Type	Diametro albero Shaft diameter	Dimensioni - Dimensions														Bull. fiss. Bolt Size
		Da H8	a	b	c	g H12	h H12	L	w	e	v	u	d1 H12	d2 H12	f1	S
		mm														
SNL505	20	52	165	46	19	25	40	67	74	130	20	15	31,5	39,5	5	M8x35
SNL506	25	62	185	52	22	32	50	77	89	150	20	15	36,5	44,5	5	M8x40
SNL507-606	30	72	185	52	22	34	50	82	93	150	20	15	46,5	54,5	5	M10x50
SNL508-607	35	80	205	60	25	39	60	85	108	170	20	15	51,5	59,5	5	M10x50
SNL509	40	85	205	60	25	30	60	85	109	170	20	15	56,5	64,5	5	M10x50
SNL510-608	45	90	205	60	25	41	60	90	113	170	20	15	62	70,5	5	M10x50
SNL511-609	50	100	255	70	28	44	70	95	128	210	24	18	67	75,5	5	M12x60
SNL512-610	55	110	255	70	30	48	70	105	134	210	24	18	72	80,5	5	M12x60
SNL513-611	60	120	275	80	30	51	80	110	149	230	24	18	77	85,5	5	M12x60
SNL515-612	65	130	280	80	30	56	80	115	155	230	24	18	87	95,5	5	M12x70
SNL516-613	70	140	315	90	32	58	95	120	177	260	28	22	92,5	101	5	M16x80
SNL517	75	150	320	90	32	61	95	125	183	260	28	22	97,5	106	5	M16x80
SNL518-615	80	160	345	100	35	65	100	140	194	290	28	22	102,5	111	5	M16x80
SNL519-616	85	170	345	100	35	68	112	145	212	290	28	22	131	141	6	M16x90
SNL520-617	90	180	380	110	40	70	112	160	218	320	32	26	137,5	147,5	6	M20x90
SNL522-619	100	200	410	120	45	80	125	175	242	350	32	26	147,5	157,5	6	M20x100
SNL524-620	110	215	410	120	45	86	140	185	271	350	32	26	157,5	167,5	6	M20x110
SNL526	115	230	445	130	50	90	150	190	290	380	35	28	167,5	177,5	6	M20x110
SNL528	125	250	500	150	50	98	150	205	302	420	42	35	177,5	187,5	6	M24x130
SNL530	135	270	530	160	60	106	160	220	323	450	42	35	192,5	202,5	6	M24x130
SNL532	140	290	550	160	60	114	170	235	344	470	42	35	202,5	212,5	6	M24x130



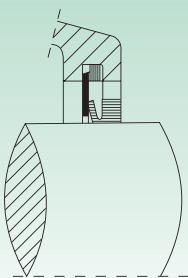
Tenuta in poliuretano "TSNG" per: SNG-SNU
"TSNG" polyurethan seal for: SNG-SNU



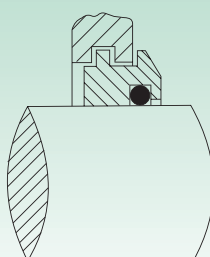
Tenuta in gomma "TSNU" per: SNG-SNU
"TSNU" rubber seal for: SNG-SNU



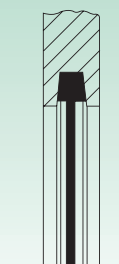
Tenuta in feltro "TSNC" per: SNG-SNU
"TSNC" felt seal for: SNG-SNU



Tenuta v-ring "TSNA" per: SNG-SNU
"TSNA" v-ring seal for: SNG-SNU

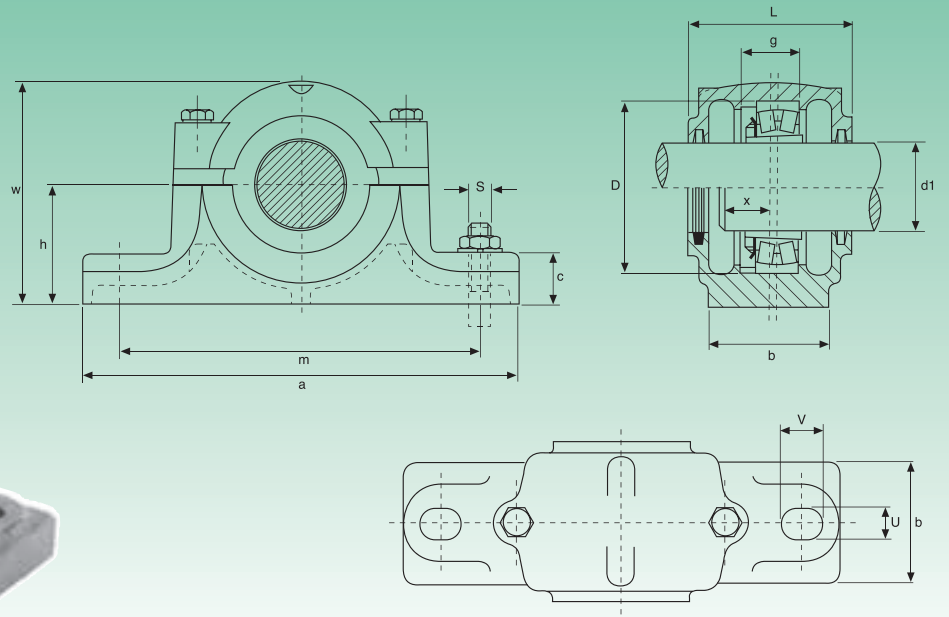


Tenuta a labirinto "TSNS" per: SNG-SNU
"TSNS" labyrinth seal for: SNG-SNU

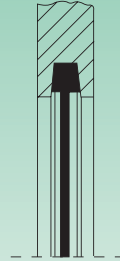
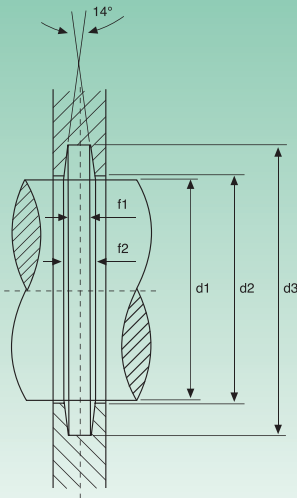


Coperchio di chiusura "A" per: SNG-SNU-SN
"A" end cover for: SNG-SNU-SN

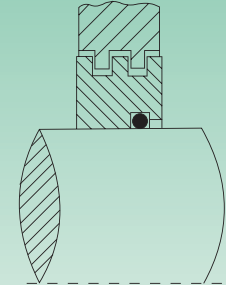
Cuscinetto orientabile a sfere (foro conico) Self-aligning ball bearing (conical bore)	Cuscinetto orientabile a rulli (foro conico) Self-aligning roller bearing (conical bore)	Bussola (metrica) Adapter sleeve (metric)	Anello di centraggio Locating ring		Peso Weight kg	"TSNG" Tenuta in poliuretano Polyurethan seal	"TSNU" Tenuta in gomma Rubber seal	"TSNC" Tenuta in feltro Felt seal	"TSNA" Tenuta V-Ring V-Ring seal	"TSNS" Tenuta a labirinto Labyrinth seal	"A" Coperchio di chiusura End cover	Tipo Type
			Tipo Type	Q.tà Q.ty								
1205 K	-	H 205	SR 52x5	2	1,45	TSNG 505	TSNU 505	TSNC 505	TSNA 505	TSNS 505	A 505	SNL505
2205 K	22205 K	H 305	SR 52x3,5	2								
1206 K	-	H 206	SR 62x8	2	2,0	TSNG 506	TSNU 506	TSNC 506	TSNA 506	TSNS 506	A 506-605	SNL506
2206 K	22206 K	H 306	SR 62x6	2								
1207 K	-	H 207	SR 72x8,5	2	2,2	TSNG 507	TSNU 507	TSNC 507	TSNA 507	TSNS 507	A 507-606	SNL507-606
2207 K	22207 K	H 307	SR 72x5,5	2								
1208 K	-	H 208	SR 80x10,5	2	2,9	TSNG 508	TSNU 508	TSNC 508	TSNA 508	TSNS 508	A 508-607	SNL508-607
2208 K	22208 K	H 308	SR 80x8	2								
1209 K	-	H 209	SR 85x5,5	2	2,9	TSNG 509	TSNU 509	TSNC 509	TSNA 509	TSNS 509	A 509	SNL509
2209 K	22209 K	H 309	SR 85x7	1								
		H 309	SR 85x3,5	2								
1210 K	-	H 210	SR 90x10,5	2	3,2	TSNG 510	TSNU 510	TSNC 510	TSNA 510	TSNS 510	A 510-608	SNL510-608
2210 K	22210 K	H 310	SR 90x9	2								
1211 K	-	H 211	SR 100x11,5	2	4,4	TSNG 511	TSNU 511	TSNC 511	TSNA 511	TSNS 511	A 511-609	SNL511-609
2211 K	22211 K	H 311	SR 100x9,5	2								
1212 K	-	H 212	SR 110x13	2	5,1	TSNG 512	TSNU 512	TSNC 512	TSNA 512	TSNS 512	A 512-610	SNL512-610
2212 K	22212 K	H 312	SR 110x10	2								
1213 K	-	H 213	SR 120x14	2	6,5	TSNG 513	TSNU 513	TSNC 513	TSNA 513	TSNS 513	A 513-611	SNL513-611
2213 K	22213 K	H 313	SR 120x10	2								
1215 K	-	H 215	SR 130x15,5	2	7,0	TSNG 515	TSNU 515	TSNC 515	TSNA 515	TSNS 515	A 515-612	SNL515-612
2215 K	22215 K	H 315	SR 130x12,5	2								
1216 K	-	H 216	SR 140x16	2	9,5	TSNG 516	TSNU 516	TSNC 516	TSNA 516	TSNS 516	A 516-613	SNL516-613
2216 K	22216 K	H 316	SR 140x12,5	2								
1217 K	-	H 217	SR 150x16,5	2	10,0	TSNG 517	TSNU 517	TSNC 517	TSNA 517	TSNS 517	A 517	SNL517
2217 K	22217 K	H 317	SR 150x12,5	2								
1218 K	-	H 218	SR 160x17,5	2	12,5	TSNG 518	TSNU 518	TSNC 518	TSNA 518	TSNS 518	A 518-615	SNL518-615
2218 K	22218 K	H 318	SR 160x12,5	2								
2218 K	23218 K	H 2318	SR 160x12,5	1								
1219 K	-	H 219	SR 170x18	2	13,7	TSNG 519	TSNU 519	TSNC 519	TSNA 519	TSNS 519	A 519-616	SNL519-616
2219 K	22219 K	H 319	SR 170x12,5	2								
1220 K	22220 K	H 320	SR 180x12	2	17,6	TSNG 520	TSNU 520	TSNC 520	TSNA 520	TSNS 520	A 520-617	SNL520-617
2220 K	23220 K	H 2320	SR 180x9,7	1								
1222 K	22222 K	H 322	SR 200x13,5	2	22,0	TSNG 522	TSNU 522	TSNC 522	TSNA 522	TSNS 522	A 522-619	SNL522-619
2222 K	23222 K	H 2322	SR 200x10	1								
1224 K	22224 K	H 3124	SR 215x14	2	26,2	TSNG 524	TSNU 524	TSNC 524	TSNA 524	TSNS 524	A 524-620	SNL524-620
-	23224 K	H 2324	SR 215x10	1								
-	22226 K	H 3126	SR 230x13	2	33,0	TSNG 526	TSNU 526	TSNC 526	TSNA 526	TSNS 526	A 526	SNL526
-	23226 K	H 2326	SR 230x10	1								
-	22228 K	H 3128	SR 250x15	2	40,0	TSNG 528	TSNU 528	TSNC 528	TSNA 528	TSNS 528	A 528	SNL528
-	23228 K	H 2328	SR 250x10	1								
-	22230 K	H 3130	SR 270x16,5	2	49,0	TSNG 530	TSNU 530	TSNC 530	TSNA 530	TSNS 530	A 530	SNL530
-	23230 K	H 2330	SR 270x10	1								
-	22232 K	H 3132	SR 290x17	2	55,0	TSNG 532	TSNU 532	TSNC 532	TSNA 532	TSNS 532	A 532	SNL532
-	23232 K	H 2332	SR 290x10	1								



Tipo Type	Diametro albero Shaft diameter		Dimensioni - Dimensions											Bull. fiss. Bolt Size
	d1		D H8	a	b	c	g H12	h h12	L ± 5	w	m	U	V	S
	mm	inch	mm/inch											
SN 506	25	1	62	185	52	22	30	50	77	90	150	15	20	M12
SN 507	30	1 1/8	72	185	52	22	33	50	82	95	150	15	20	M12
SN 508	35	1 1/4	80	205	60	25	33	60	85	110	170	15	20	M12
SN 509	40	1 1/2	85	205	60	25	31	60	85	112	170	15	20	M12
SN 510	45	1 3/4	90	205	60	25	33	60	90	115	170	15	20	M12
SN 511	50	2	100	255	70	28	33	70	95	130	210	18	23	M16
SN 512	55	2 1/8	110	255	70	30	38	70	105	135	210	18	23	M16
SN 513	60	2 1/4	120	275	80	30	43	80	110	150	230	18	23	M16
SN 515	65	2 1/2	130	280	80	30	41	80	115	155	230	18	23	M16
SN 516	70	2 3/4	140	315	90	32	43	95	120	175	260	22	27	M20
SN 517	75	3	150	320	90	32	46	95	125	185	260	22	27	M20
SN 518	80	3 1/4	160	345	100	35	62,4	100	145	195	290	22	27	M20
SN 519	85	-	170	345	100	35	53	112	140	210	290	22	27	M20
SN 520	90	3 1/2	180	380	110	40	70,3	112	160	218	320	26	32	M24
SN 522	100	4	200	410	120	45	80	125	175	240	350	26	32	M24
SN 524	110	4 1/4	215	410	120	45	86	140	185	270	350	26	32	M24
SN 526	115	4 1/2	230	445	130	50	90	150	190	290	380	28	36	M24
SN 528	125	5	250	500	150	50	98	150	205	305	420	33	42	M30
SN 530	135	5 1/4	270	530	160	60	106	160	220	325	450	33	42	M30
SN 532	140	5 1/2	290	550	160	60	114	170	235	345	470	33	42	M30



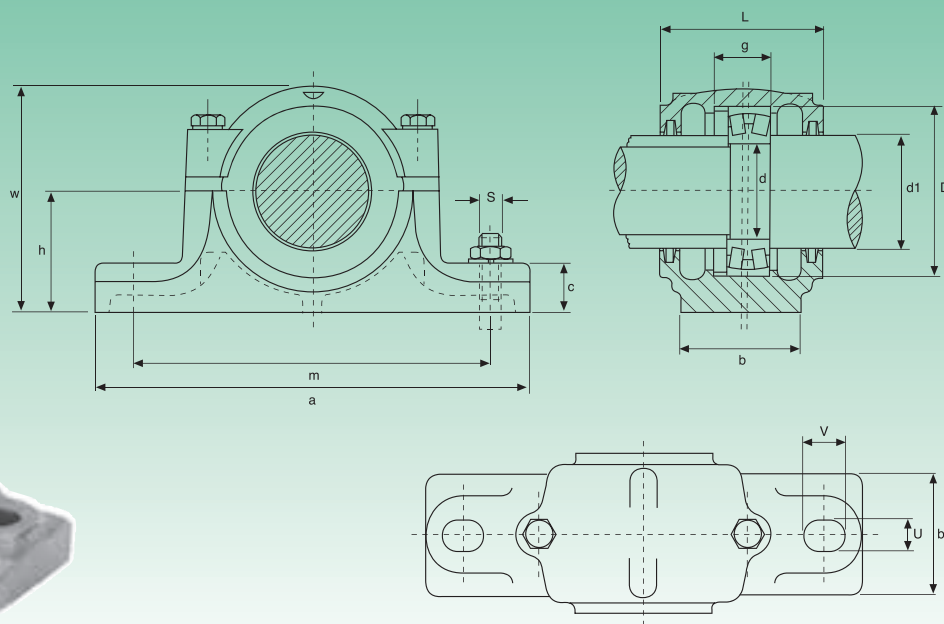
Coperchio di chiusura "A" per: SNG-SNU-SN
"A" end cover for: SNG-SNU-SN



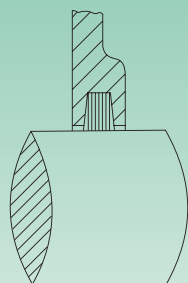
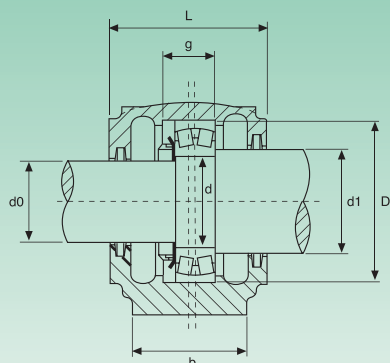
Tenuta a labirinto "TS" per: SN-SD
"TS" labyrinth seal for: SN-SD

Se non diversamente specificato viene fornito il supporto aperto di tipo "B"
Unless specified "B" type open housing supplied

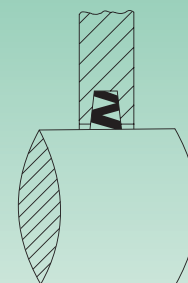
X	Dimensioni - Dimensions				Peso Weight	Cuscinetto orientabile a sfere (foro conico) Self-aligning ball bearing (conical bore)	Cuscinetto orientabile a rulli (foro conico) Self-aligning roller bearing (conical bore)	Bussola Adapter sleeve		Anello di centraggio Locating ring		"A" Coperchio di chiusura End cover	"TS" Tenuta a labirinto Labyrinth seal	Tipo Type
	d2 H12	d3 H12	f1 H13	f2				mm	inch	Tipo Type	Q.tà Q.ty			
22	26,5	38	4	5,4	1,6	1206 K	-	H 206	HE 206	SR 62x7	2	A 506	TS 506	SN 506
						2206 K	22206 K	H 306	HE 306	SR 62x10	1			
24	31,5	43	4	5,4	2,1	1207 K	-	H 207	HE 207	SR 72x8	2	A 507	TS 507	SN 507
						2207 K	22207 K	H 307	HE 307	SR 72x10	1			
26	36,5	48	4	5,4	2,7	1208 K	-	H 208	HE 208	SR 80x7,5	2	A 508	TS 508	SN 508
						2208 K	22208 K	H 308	HE 308	SR 80x10	1			
28	41,5	53	4	5,4	2,8	1209 K	-	H 209	HE 209	SR 85x6	2	A 509	TS 509	SN 509
						2209 K	22209 K	H 309	HE 309	SR 85x8	1			
28	46,5	58	4	5,4	3,0	1210 K	-	H 210	HE 210	SR 90x6,5	2	A 510	TS 510	SN 510
						2210 K	22210 K	H 310	HE 310	SR 90x10	1			
30	51,5	67	5	6,9	4,0	1211 K	-	H 211	HE 211	SR 100x6	2	A 511	TS 511	SN 511
						2211 K	22211 K	H 311	HE 311	SR 100x8	1			
32	56,5	72	5	6,9	4,5	1212 K	-	H 212	HE 212	SR 110x8	2	A 512	TS 512	SN 512
						2212 K	22212 K	H 312	HE 312	SR 110x10	1			
36	62	77	5	6,8	5,5	1213 K	-	H 213	HE 213	SR 120x10	2	A 513	TS 513	SN 513
						2213 K	22213 K	H 313	HE 313	SR 120x12	1			
38	67	82	5	6,8	6,0	1215 K	-	H 215	HE 215	SR 130x8	2	A 515	TS 515	SN 515
						2215 K	22215 K	H 315	HE 315	SR 130x10	1			
40	72	89	6	8,1	8,2	1216 K	-	H 216	HE 216	SR 140x8,5	2	A 516	TS 516	SN 516
						2216 K	22216 K	H 316	HE 316	SR 140x10	1			
42	77	94	6	8,1	9,0	1217 K	-	H 217	HE 217	SR 150x9	2	A 517	TS 517	SN 517
						2217 K	22217 K	H 317	HE 317	SR 150x10	1			
50	82	99	6	8,1	11,6	1218 K	22218 K	H 218	HE 218	SR 160x16,2	2	A 518	TS 518	SN 518
						2218 K	23218 K	H 318	HE 318	SR 160x11,2	2			
						1219 K	-	H 219	HE 219	SR 160x10	1			
52	87	104	6	8,1	11,8	2219 K	22219 K	H 319	HE 319	SR 170x10,5	2	A 519	TS 519	SN 519
						2219 K	22219 K	H 319	HE 319	SR 170x10	1			
54	92	111	7	9,3	15,5	2220 K	22220 K	H 320	HE 320	SR 180x12,1	2	A 520	TS 520	SN 520
						-	23220 K	H 2320	HE 2320	SR 180x10	1			
60	102	125	8	10,8	19	2222 K	22222 K	H 322	HE 322	SR 200x13,5	2	A 522	TS 522	SN 522
						-	23222 K	H 2322	HE 2322	SR 200x10	1			
64	113	135	8	10,7	23	-	22224 K	H 3124	HE 3124	SR 215x14	2	A 524	TS 524	SN 524
						-	23224 K	H 2324	HE 2324	SR 215x10	1			
64	118	140	8	10,7	28	-	22226 K	H 3126	HE 3126	SR 230x13	2	A 526	TS 526	SN 526
						-	23226 K	H 2326	HE 2326	SR 230x10	1			
70	128	154	9	12,2	37	-	22228 K	H 3128	HE 3128	SR 250x15	2	A 528	TS 528	SN 528
						-	23228 K	H 2328	HE 2328	SR 250x10	1			
76	138	164	9	12,2	44	-	22230 K	H 3130	HE 3130	SR 270x16,5	2	A 530	TS 530	SN 530
						-	23230 K	H 2330	HE 2330	SR 270x10	1			
80	143	173	10	13,7	50	-	22232 K	H 3132	HE 3132	SR 290x17	2	A 532	TS 532	SN 532
						-	23232 K	H 2332	HE 2332	SR 290x10	1			



Tipo Type	Diametro albero Shaft diameter			Dimensioni - Dimensions											
	d	d0	d1	D H8	a	b	c	g H12	h h12	L ± 5	w	m	n	U	V
	mm			mm											
SN 207	35	30	45	72	185	52	22	33	50	82	95	150	-	15	20
SN 208	40	35	50	80	205	60	25	33	60	85	110	170	-	15	20
SN 209	45	40	55	85	205	60	25	31	60	85	112	170	30	15	20
SN 210	50	45	60	90	205	60	25	33	60	90	115	170	30	15	20
SN 211	55	50	65	100	255	70	28	33	70	95	130	210	35	18	23
SN 212	60	55	70	110	255	70	30	38	70	105	135	210	35	18	23
SN 213	65	60	75	120	275	80	30	43	80	110	150	230	40	18	23
SN 215	75	65	85	130	280	80	30	41	80	115	155	230	40	18	23
SN 216	80	70	90	140	315	90	32	43	95	120	175	260	50	22	27
SN 217	85	75	95	150	320	90	32	46	95	125	185	260	50	22	27
SN 218	90	80	100	160	345	100	35	62,4	100	145	195	290	50	22	27
SN 220	100	90	115	180	380	110	40	70,3	112	160	218	320	60	26	32
SN 222	110	100	125	200	410	120	45	80	125	175	240	350	70	26	32
SN 224	120	110	135	215	410	120	45	86	140	185	270	350	70	26	32
SN 226	130	115	145	230	445	130	50	90	150	190	290	380	70	28	36
SN 228	140	125	155	250	500	150	50	98	150	205	305	420	80	33	42
SN 230	150	135	165	270	530	160	60	106	160	220	325	450	90	33	42
SN 232	160	140	175	290	550	160	60	114	170	235	345	470	90	33	42

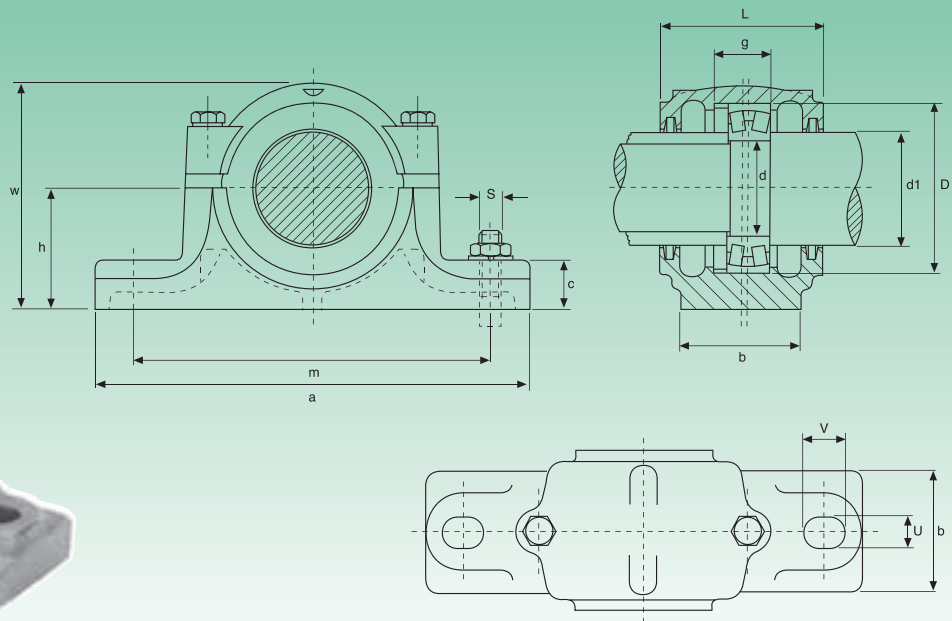


Tenuta in feltro "TSNC" per: SNG-SNU
"TSNC" felt seal for: SNG-SNU

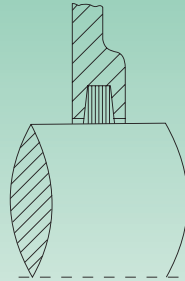
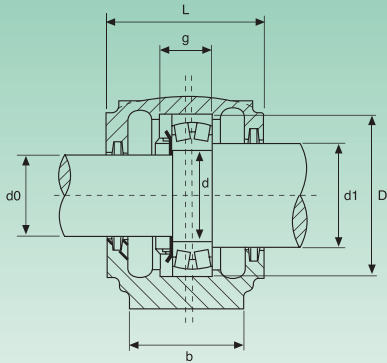


Tenuta in NBR "ZF" per: SN
"ZF" NBR seal for: SN

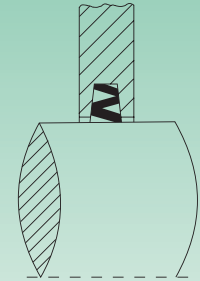
S		Cuscinetto orientabile a sfere Self-aligning ball bearing	Cuscinetto orientabile a rulli Self-aligning roller bearing	Ghiera di bloccaggio Lock nut KM	Rosetta Washer MB	"TSNC" Tenuta in feltro Felt seal		"ZF" Tenuta in NBR NBR seal		Anello di centraggio Locating ring		Tipo Type
2 Bull. Fiss. 2 Bolt size	4 Bull. Fiss. 4 Bolt size					d0	d1	d0	d1	Tipo Type	Q.tà Q.ty	
M 12	-	1207 2207	22207	KM 07	MB 07	TSNC 207	TSNC 210	ZF 207	ZF 210	SR 72x8 SR 72x10	2 1	SN 207
M 12	-	1208 2208	22208	KM 08	MB 08	TSNC 208	TSNC 211	ZF 208	ZF 211	SR 80x7,5 SR 80x10	2 1	SN 208
M 12	M 10	1209 2209	22209	KM 09	MB 09	TSNC 209	TSNC 212	ZF 209	ZF 212	SR 85x6 SR 85x8	2 1	SN 209
M 12	M 10	1210 2210	22210	KM 10	MB 10	TSNC 210	TSNC 213	ZF 210	ZF 213	SR 90x6,5 SR 90x10	2 1	SN 210
M 16	M 12	1211 2211	22211	KM 11	MB 11	TSNC 211	TSNC 215	ZF 211	ZF 215	SR 100x6 SR 100x8	2 1	SN 211
M 16	M 12	1212 2212	22212	KM 12	MB 12	TSNC 212	TSNC 216	ZF 212	ZF 216	SR 110x8 SR 110x10	2 1	SN 212
M 16	M 12	1213 2213	22213	KM 13	MB 13	TSNC 213	TSNC 217	ZF 213	ZF 217	SR 120x10 SR 120x12	2 1	SN 213
M 16	M 12	1215 2215	22215	KM 15	MB 15	TSNC 215	TSNC 219	ZF 215	ZF 219	SR 130x8 SR 130x10	2 1	SN 215
M 20	M 16	1216 2216	22216	KM 16	MB 16	TSNC 216	TSNC 220	ZF 216	ZF 220	SR 140x8,5 SR 140x10	2 1	SN 216
M 20	M 16	1217 2217	22217	KM 17	MB 17	TSNC 217	TSNC 221	ZF 217	ZF 221	SR 150x9 SR 150x10	2 1	SN 217
M 20	M 16	1218 2218	22218 23218	KM 18	MB 18	TSNC 218	TSNC 222	ZF 218	ZF 222	SR 160x16,2 SR 160x11,2 SR 160x10	2 2 1	SN 218
M 24	M 16	2220	22220 23220	KM 20	MB 20	TSNC 220	TSNC 226	ZF 220	ZF 226	SR 180x12,1 SR 180x10	2 1	SN 220
M 24	M 16	2222	22222 23222	KM 22	MB 22	TSNC 222	TSNC 228	ZF 222	ZF 228	SR 200x13,5 SR 200x10	2 1	SN 222
M 24	M 16	-	22224 23224	KM 24	MB 24	TSNC 224	TSNC 230	ZF 224	ZF 230	SR 215x14 SR 215x10	2 1	SN 224
M 24	M 20	-	22226 23226	KM 26	MB 26	TSNC 226	TSNC 233	ZF 226	ZF 233	SR 230x13 SR 230x10	2 1	SN 226
M 30	M 24	-	22228 23228	KM 28	MB 28	TSNC 228	TSNC 235	ZF 228	ZF 235	SR 250x15 SR 250x10	2 1	SN 228
M 30	M 24	-	22230 23230	KM 30	MB 30	TSNC 230	TSNC 237	ZF 230	ZF 237	SR 270x16,5 SR 270x10	2 1	SN 230
M 30	M 24	-	22232 23232	KM 32	MB 32	TSNC 232	TSNC 239	ZF 232	ZF 239	SR 290x17 SR 290x10	2 1	SN 232



Tipo Type	Diametro albero Shaft diameter			Dimensioni - Dimensions											
	d	d0	d1	D H8	a	b	c	g H12	h h12	L ± 5	w	m	n	U	V
	mm			mm											
SN 307	35	30	45	80	205	60	25	41	60	90	110	170	-	15	20
SN 308	40	35	50	90	205	60	25	43	60	95	115	170	-	15	20
SN 309	45	40	55	100	255	70	28	46	70	105	130	210	-	18	23
SN 310	50	45	60	110	255	70	30	50	70	115	135	210	-	18	23
SN 311	55	50	65	120	275	80	30	53	80	120	150	230	40	18	23
SN 312	60	55	70	130	280	80	30	56	80	125	155	230	40	18	23
SN 313	65	60	75	140	315	90	32	58	95	130	175	260	50	22	27
SN 315	75	65	85	160	345	100	35	65	100	140	195	290	50	22	27
SN 316	80	70	90	170	345	100	35	68	112	145	212	290	50	22	27
SN 317	85	75	95	180	380	110	40	70	112	155	218	320	60	26	32
SN 318	90	80	100	190	400	110	33	74	112	160	230	320	60	26	35
SN 319	95	85	110	200	420	120	36	77	125	170	245	350	70	26	35
SN 320	100	90	115	215	420	120	38	83	140	175	280	350	70	26	35
SN 322	110	100	125	240	460	130	40	90	150	190	300	390	70	28	38
SN 324	120	110	135	260	540	160	50	96	160	205	325	450	90	33	42
SN 326	130	115	150	280	560	160	50	103	170	215	350	470	90	33	42
SN 328	140	125	160	300	630	170	55	112	180	235	375	520	90	35	45
SN 330	150	135	170	320	680	180	55	118	190	245	395	560	90	35	45
SN 332	160	140	180	340	710	190	60	124	200	255	415	580	100	42	52

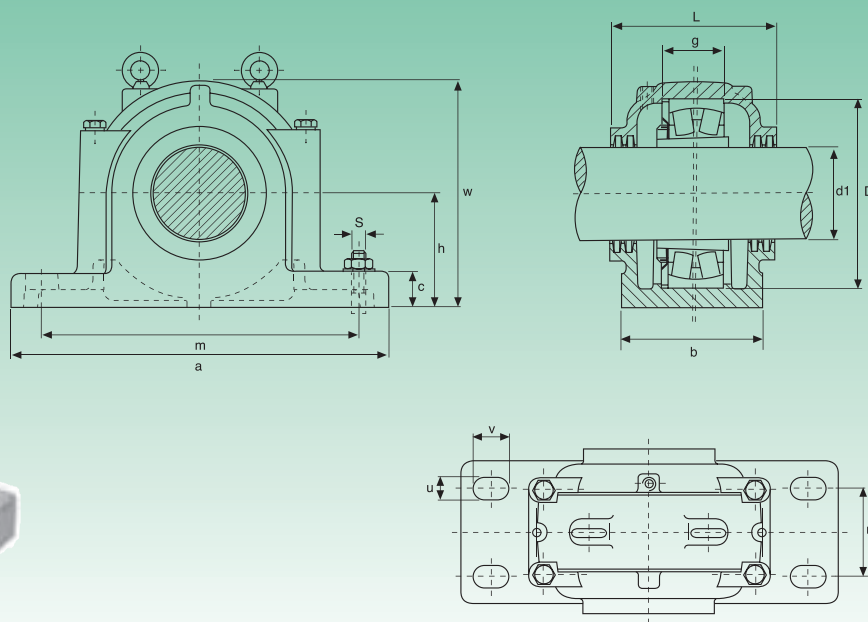


Tenuta in feltro "TSNC" per: SNG-SNU
"TSNC" felt seal for: SNG-SNU

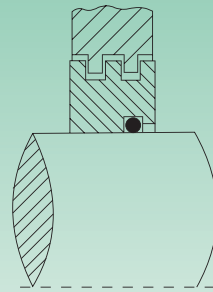
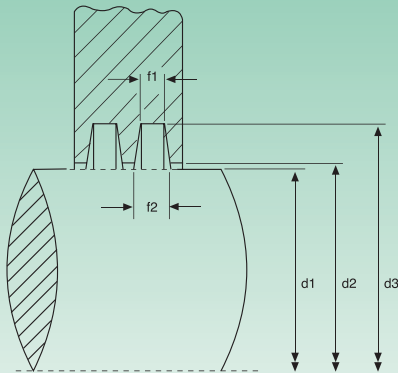


Tenuta in NBR "ZF" per: SN
"ZF" NBR seal for: SN

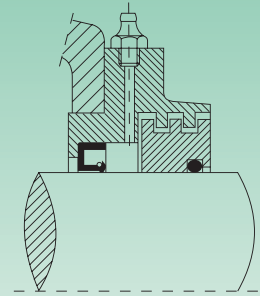
S		Cuscinetto orientabile a sfere Self-aligning ball bearing	Cuscinetto orientabile a rulli Self-aligning roller bearing	Ghiera di bloccaggio Lock nut	Rosetta Washer	"TSNC" Tenuta in feltro Felt seal		"ZF" Tenuta in NBR NBR seal		Anello di centraggio Locating ring		Tipo Type
2 Bull. Fiss. 2 Bolt size	4 Bull. Fiss. 4 Bolt size					KM	MB	d0	d1	d0	d1	
M 12	-	1307 2307	-	KM 07	MB 07	TSNC 307	TSNC 310	ZF 307	ZF 310	SR 80x10 SR 80x10	2 1	SN 307
M 12	-	1308 2308	21308 22308	KM 08	MB 08	TSNC 308	TSNC 311	ZF 308	ZF 311	SR 90x10 SR 90x10	2 1	SN 308
M 16	-	1309 2309	21309 22309	KM 09	MB 09	TSNC 309	TSNC 312	ZF 309	ZF 312	SR 100x10,5 SR 100x10	2 1	SN 309
M 16	-	1310 2310	21310 22310	KM 10	MB 10	TSNC 310	TSNC 313	ZF 310	ZF 313	SR 110x11,5 SR 110x10	2 1	SN 310
M 16	M 12	1311 2311	21311 22311	KM 11	MB 11	TSNC 311	TSNC 315	ZF 311	ZF 315	SR 120x12 SR 120x10	2 1	SN 311
M 16	M 12	1312 2312	21312 22312	KM 12	MB 12	TSNC 312	TSNC 316	ZF 312	ZF 316	SR 130x12,5 SR 130x10	2 1	SN 312
M 20	M 16	1313 2313	21313 22313	KM 13	MB 13	TSNC 313	TSNC 317	ZF 313	ZF 317	SR 140x12,5 SR 140x10	2 1	SN 313
M 20	M 16	1315 2315	21315 22315	KM 15	MB 15	TSNC 315	TSNC 319	ZF 315	ZF 319	SR 160x14 SR 160x10	2 1	SN 315
M 20	M 16	1316 2316	21316 22316	KM 16	MB 16	TSNC 316	TSNC 320	ZF 316	ZF 320	SR 170x14,5 SR 170x10	2 1	SN 316
M 24	M 16	1317 2317	21317 22317	KM 17	MB 17	TSNC 317	TSNC 321	ZF 317	ZF 321	SR 180x14,5 SR 180x10	2 1	SN 317
M 24	M 16	1318 2318	21318 22318	KM 18	MB 18	TSNC 318	TSNC 322	ZF 318	ZF 322	SR 190x15,5 SR 190x10	2 1	SN 318
M 24	M 16	1319 2319	21319 22319	KM 19	MB 19	TSNC 319	TSNC 324	ZF 319	ZF 324	SR 200x16 SR 200x10	2 1	SN 319
M 24	M 16	1320 2320	21320 22320	KM 20	MB 20	TSNC 320	TSNC 326	ZF 320	ZF 326	SR 215x18 SR 215x10	2 1	SN 320
M 24	M 16	1322 2322	22322	KM 22	MB 22	TSNC 322	TSNC 328	ZF 322	ZF 328	SR 240x20 SR 240x10	2 1	SN 322
M 30	M 20	-	22324	KM 24	MB 24	TSNC 324	TSNC 330	ZF 324	ZF 330	SR 260x10	1	SN 324
M 30	M 20	-	22326	KM 26	MB 26	TSNC 326	TSNC 334	ZF 326	ZF 334	SR 280x10	1	SN 326
M 30	M 20	-	22328	KM 28	MB 28	TSNC 328	TSNC 336	ZF 328	ZF 336	SR 300x10	1	SN 328
M 30	M 20	-	22330	KM 30	MB 30	TSNC 330	TSNC 338	ZF 330	ZF 338	SR 320x10	1	SN 330
M 36	M 24	-	22332	KM 32	MB 32	TSNC 332	TSNC 340	ZF 332	ZF 340	SR 340x10	1	SN 332



Tipo Type	Diametro albero Shaft diameter	Dimensioni - Dimensions											
	d1	D H8	a	b	c	g H12	h h12	L ± 5	w	m	n	U	V
	mm	mm											
SD 3034	150	260	540	200	50	77	160	230	320	450	110	36	52
SD 3036	160	280	560	220	50	84	170	250	340	470	120	36	52
SD 3038	170	290	560	220	50	85	170	250	345	470	120	36	52
SD 3040	180	310	620	230	60	92	180	270	360	510	140	36	52
SD 3044	200	340	700	260	65	100	200	290	400	570	160	36	55
SD 3048	220	360	740	270	65	102	210	300	420	610	170	36	55
SD 3052	240	400	820	300	70	114	240	330	475	680	190	43	62
SD 3056	260	420	860	320	85	116	250	350	500	710	200	43	62
SD 3060	280	460	920	330	85	128	280	360	550	770	210	43	62
SD 3064	300	480	940	340	85	131	280	370	560	790	210	43	62
SD 3068	320	520	1020	370	100	143	310	400	615	860	230	50	70
SD 3072	340	540	1060	390	100	144	325	410	640	890	250	50	70
SD 3076	360	560	1080	390	100	145	340	410	665	900	260	50	70

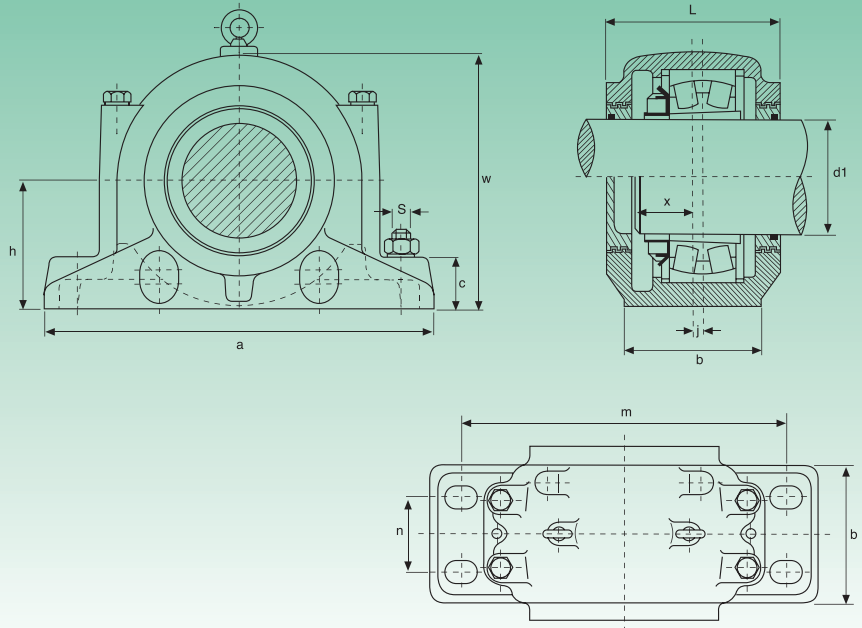


Tenuta a labirinto "TS" per: SN-SD
"TS" labyrinth seal for: SN-SD

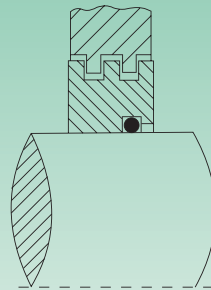
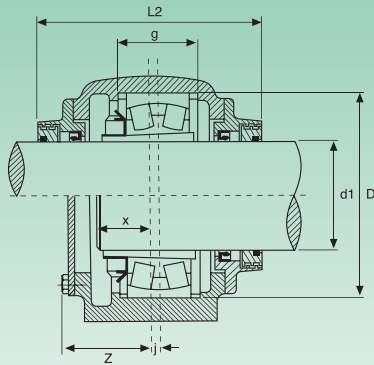


Chiusura di taconite "TAC" per: SN-SD
"TAC" taconite cover for: SN-SD

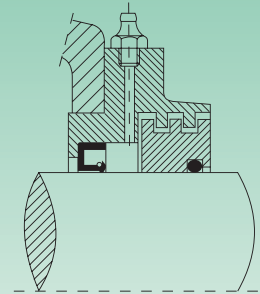
Bull. fiss. Bolt Size	Dimensioni - Dimensions				Peso Weight	Cuscinetto orientabile a rulli (foro conico) Self-aligning roller bearing (conical bore)	Bussola (metrica) Adapter sleeve (metric)	Anello di centraggio Locating ring		"TS" Tenuta a labirinto Labyrinth seal	"ETS" Coperchio Cover
	d2 H12	d3 H12	f1 H13	f2				Tipo Type	Q.tà Q.ty		
S	mm				kg						
M 30	153	183	10	13,8	62	23034 K	H 3034	SR 260x10	1	TS 3034	ETS 3034
M 30	163	193	10	13,8	78	23036 K	H 3036	SR 280x10	1	TS 3036	ETS 3036
M 30	173	203	10	13,8	82	23038 K	H 3038	SR 290x10	1	TS 3038	ETS 3038
M 30	183	213	10	13,8	92	23040 K	H 3040	SR 310x10	1	TS 3040	ETS 3040
M 30	203	240	11	15,7	125	23044 K	H 3044	SR 340x10	1	TS 3044	ETS 3044
M 30	223	260	11	15,7	140	23048 K	H 3048	SR 360x10	1	TS 3048	ETS 3048
M 36	243	286	12	17,4	200	23052 K	H 3052	SR 400x10	1	TS 3052	ETS 3052
M 36	263	306	12	17,4	230	23056 K	H 3056	SR 420x10	1	TS 3056	ETS 3056
M 36	283	332	13	19,1	290	23060 K	H 3060	SR 460x10	1	TS 3060	ETS 3060
M 36	303	352	13	19,1	300	23064 K	H 3064	SR 480x10	1	TS 3064	ETS 3064
M 42	323	372	13	19,1	400	23068 K	H 3068	SR 520x10	1	TS 3068	ETS 3068
M 42	343	392	13	19,1	450	23072 K	H 3072	SR 540x10	1	TS 3072	ETS 3072
M 42	363	412	13	19,1	470	23076 K	H 3076	SR 560x10	1	TS 3076	ETS 3076



Tipo Type	Diametro albero Shaft diameter		Dimensioni - Dimensions												
	d1		D H8	a	b	c	g H12	h h12	L ± 5	L2	w	m	n	U	U
	mm	inch													
SD 3134	150	6	280	510	180	70	108	170	230	308	335	430	100	30	36
SD 3136	160	6½	300	530	190	75	116	180	240	318	355	450	110	30	36
SD 3138	170	6¾	320	560	210	80	124	190	260	336	375	480	120	30	38
SD 3140	180	7	340	610	230	85	132	210	280	356	410	510	130	35	40
SD 3144	200	-	370	640	240	90	140	220	290	368	435	540	140	35	40
SD 3148	220	-	400	700	260	95	148	240	310	388	475	600	150	35	40
SD 3152	240	-	440	770	280	100	164	260	320	400	515	650	160	40	48
SD 3156	260	-	460	790	280	105	166	280	320	400	550	670	160	42	50
SD 3160	280	-	500	830	310	110	180	300	350	426	590	710	190	42	60
SD 3164	300	-	540	880	330	115	196	320	370	448	630	750	200	42	60
SD 3168	320	-	580	965	380	120	210	340	390	488	670	840	240	49	59
SD 3172	340	-	600	1040	390	130	212	360	390	498	720	890	255	49	59
SD 3176	360	-	620	1120	400	135	214	380	405	520	750	980	255	60	72
SD 3180	380	-	650	1245	420	140	220	400	425	543	790	1050	270	65	78

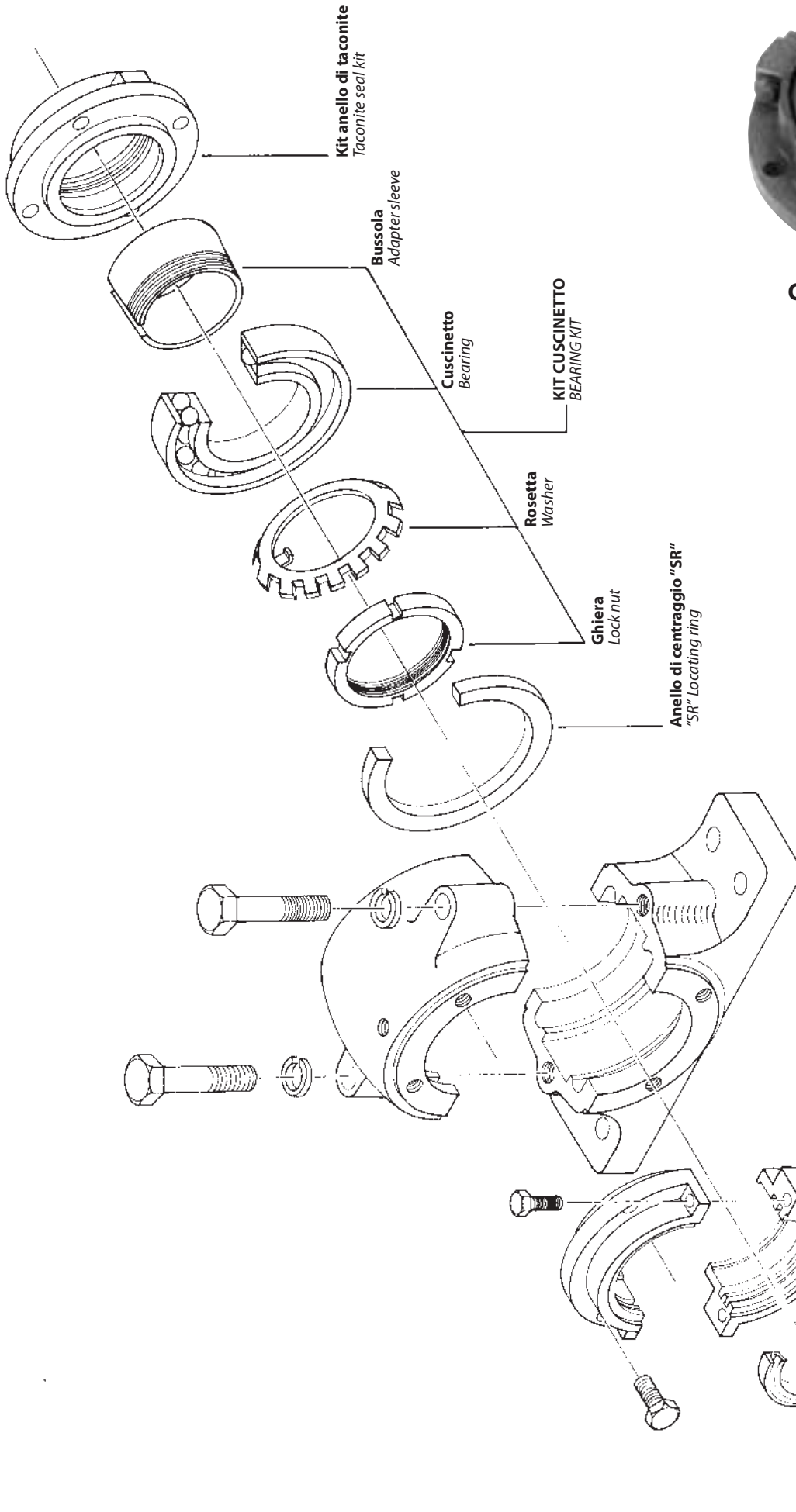


Tenuta a labirinto "TS" per: SN-SD
"TS" labyrinth seal for: SN-SD



Chiusura di taconite "TAC" per: SN-SD
"TAC" taconite cover for: SN-SD

Dimensioni - Dimensions			Bull. fiss. Bolt Size	Peso Weight	Cuscinetto orientabile a rulli (foro conico) Self-aligning roller bearing (conical bore)	Bussola Adapter sleeve		Anello di centraggio Locating ring		"TS" Tenuta a labirinto Labyrinth seal	"ETS" Coperchio Cover	"TAC" Chiusura di taconite Taconite cover
J	X	Z				S	mm	inch	Tipo Type			
mm				kg								
14	65	120	M 24	70	23134 K	H 3134	HE 3134	SR 280x10	2	TS 3134	ETS 3134	TAC 3134
15	68	130	M 24	72	23136 K	H 3136	HE 3136	SR 300x10	2	TS 3136	ETS 3136	TAC 3136
10	80	140	M 24	88	23138 K	H 3138	HE 3138	SR 320x10	2	TS 3138	ETS 3138	TAC 3138
10	82	150	M 30	122	23140 K	H 3140	HE 3140	SR 340x10	2	TS 3140	ETS 3140	TAC 3140
12	90	155	M 30	136	23144 K	H 3144	-	SR 370x10	2	TS 3144	ETS 3144	TAC 3144
12	100	160	M 30	190	23148 K	H 3148	-	SR 400x10	2	TS 3148	ETS 3148	TAC 3148
13	105	170	M 36	238	23152 K	H 3152	-	SR 440x10	2	TS 3152	ETS 3152	TAC 3152
16	105	170	M 36	252	23156 K	H 3156	-	SR 460x10	2	TS 3156	ETS 3156	TAC 3156
22	110	190	M 36	290	23160 K	H 3160	-	SR 500x10	2	TS 3160	ETS 3160	TAC 3160
23	120	200	M 36	340	23164 K	H 3164	-	SR 540x10	2	TS 3164	ETS 3164	TAC 3164
25	135	220	M 45	430	23168 K	H 3168	-	SR 580x10	2	TS 3168	ETS 3168	TAC 3168
22	145	225	M 50	560	23172 K	H 3172	-	SR 600x10	2	TS 3172	ETS 3172	TAC 3172
22	145	240	M 55	770	23176 K	H 3176	-	SR 620x10	2	TS 3176	ETS 3176	TAC 3176
22	150	260	M 60	870	23180 K	H 3180	-	SR 650x10	2	TS 3180	ETS 3180	TAC 3180



CHIUSURA DI TACONITE
TACONITE COVER